



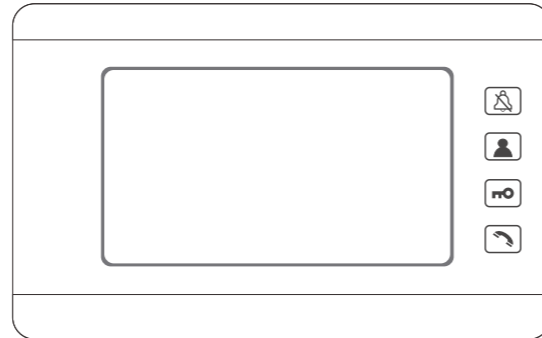
Video Door Phone User Manual

Version: 1.5.1

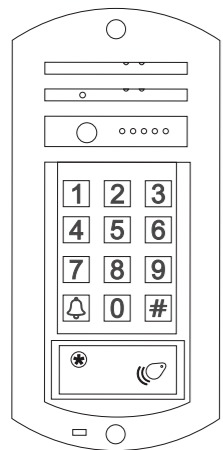


Main Features

- 1). Touch color TFT LCD screen, high resolution.
- 2). Hands-free talkback. Indoor group calls.
- 3). Door releasing.
- 4). Outdoor realtime monitoring.
- 5). DO NOT Disturbing.(optional)
- 6). Photo taking/Recording.(optional)
- 7). Infrared vision at night.
- 8). Read card function.
- 9). Long distance transmitting .
- 10). Metal or touch Keyboard with lighting.
- 11). High quality conversation, Volume adjustable.
- 12). Waterproof with qualified metal case.
- 13). low power consumption,user friendly operation.
- 14). Multi-connections, one to one, one to more, two to one, two to more.



Outdoor Station Parameter



Transmission Distance	200m
Infrared Lighting Distance	0.4m
Gain control	Auto
Photo taking/Monitoring	Optional
Camera	700/480 TV Lines / 100W
User Cards	Max. 2000
Visual Angle	90°/ 120°wide angle
KW	<2W
Power	DC 15V (POE)
Camera	CMOS / CCD
Infrared Night Vision	10 LUX infrared
Operating Temperature	-20℃ + 60 ℃
Installation Type	Wall-mounted or Embedded

Indoor Monitor Parameter

SCREEN	10 inch	9 inch	8 inch	7 inch	4.3 inch
PARAMETER					
Display Scale	16:9	16:9	4:3	16:9	4:3
Resolution (Pixel)	800×480	800×480	800×600	800×480	480×272
TV Standard	PAL/NTSC(automatic)				
Ringtones	10 / 24				
Operation Language	EN/RU/DE/CN				
Distance	200m to outdoor station, 40m to indoor monitor				
Brightness	30 Cd/m ²				
Sensitivity	56 dB				
Photo taking	JPG 50pcs (4M memory)				
Monitoring	45s (10M memory)				
External TF card	Max. 32G				
Power Consumption	≤ 6W Standby<1W				
Input Voltage	AC100V- 240V~50HZ/ 60HZ				
Power Adapter	DC15V 1200mA				
Conversation Delay	120s ± 10%				
Monitor Delay	40s ± 10%				
Operating Temp	- 10℃~+ 60℃				
Relative Humidity	10%~90% (RH)				
Installation	Wall-mounted or Desktop				

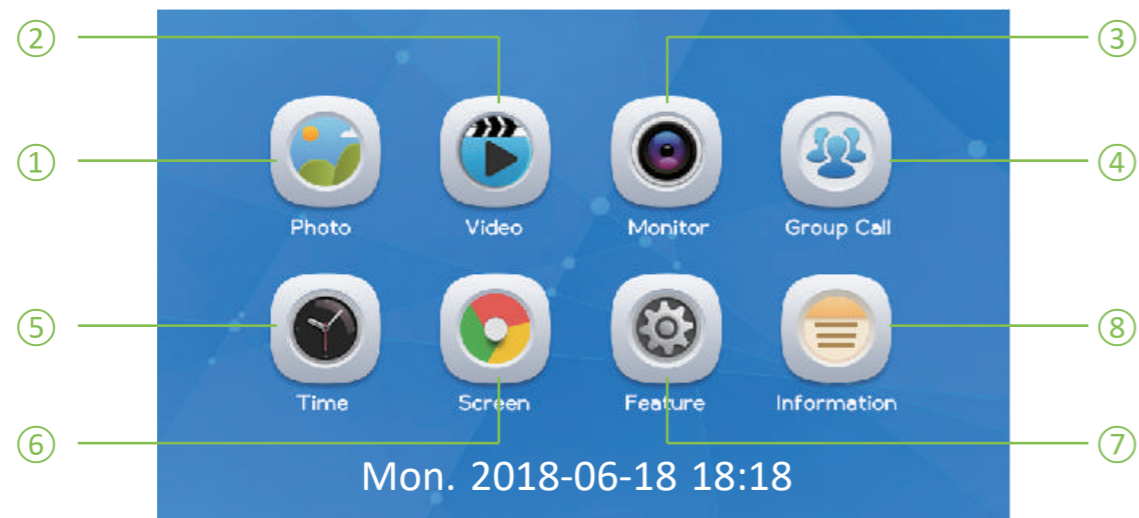
Wiring Cables Parameter

	RVV4 × 0.3mm / RVV5 × 0.3mm (Copper wires ≤ 0.3mm)
	VTP CAT 5 CABLE (Recommend)
	2 × 1.0m (≤ 5m) (Electric lock wire or power wire)

CAUTION:

Keep more than 50cm away from the high voltage power lines. Better to stay away from it!

Interface of Indoor Monitor



①

- Back
- Play / Pause
- Delete
- Previous
- Next

②

- Back
- Play / Pause
- Delete
- Previous
- Next

③

- Hang Up
- Answer
- Unlock
- Take Photo
- Recording

④

- Room 1 - 5
- Group Call
- Back

⑤

- Back
- More
- Less
- Left
- Right

⑥

- Back
- More
- Less
- Up
- Down

⑦

- Back
- Previous
- Next
- Up
- Down

⑧

Device Information

CAUTION:
Do not try the test model!

RFID Cards for Outdoor Station

NOTE: the below cards had been learned into device already as factory default:

- 1 * Admin Card for Adding. (described as 'ADD CARD' as below).
- 1 * Admin Card for Deleting. (described as 'DELETE CARD' as below).
- 3 * User Cards (described as 'USER CARD' as below)

△. Add User Cards:

Scan ADD CARD → Green flash indicator light → Scan USER CARD → Rescan ADD CARD → Done.

△. Delete User Cards:

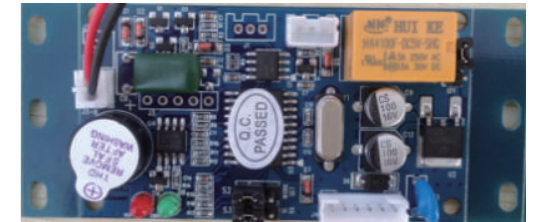
Scan DELETE CARD → Red flash indicator light → Scan USER CARD → Rescan DELETE CARD → Done.

△. Remove All User Cards:

Scan DELETE CARD → Red flash indicator light → Scan ADD CARD → Rescan DELETE CARD → Done.

△. Remove All User Cards and Add Admin Cards:

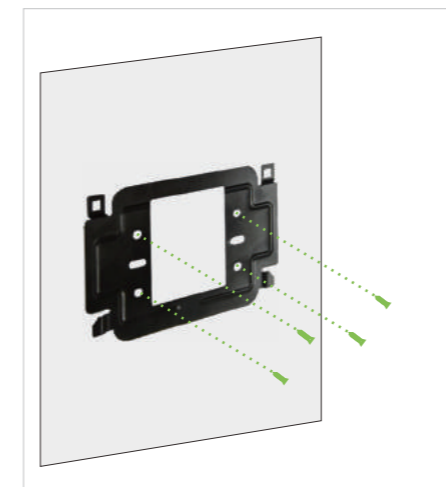
1. Open the outdoor station, and power it off.
2. Remove the jumper to 2-3 on S2.
3. Power on the outdoor station.
4. Red and green indicators will flash alternately.
5. Scan admin card. The 1st card will be set as ADD CARD, the 2nd scanned card will be set as DELETE CARD.
6. When it's done, must remove the jumper back to 1-2 on S2.



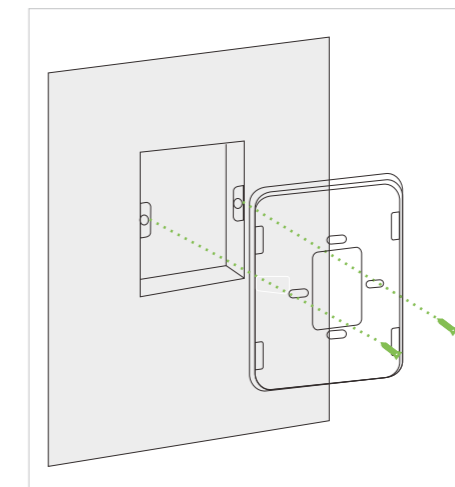
Mode setting S2	1 2 3	S3	Unlock time 1s(default)
Unlock time S3		S3	Unlock time 5s
		S2	Set admin card Mode
		S2	Set user card Mode(default)

Installation Type

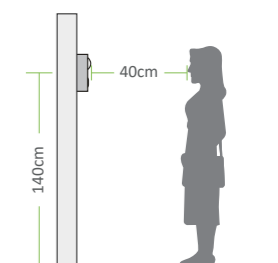
Wall-mounted Installation



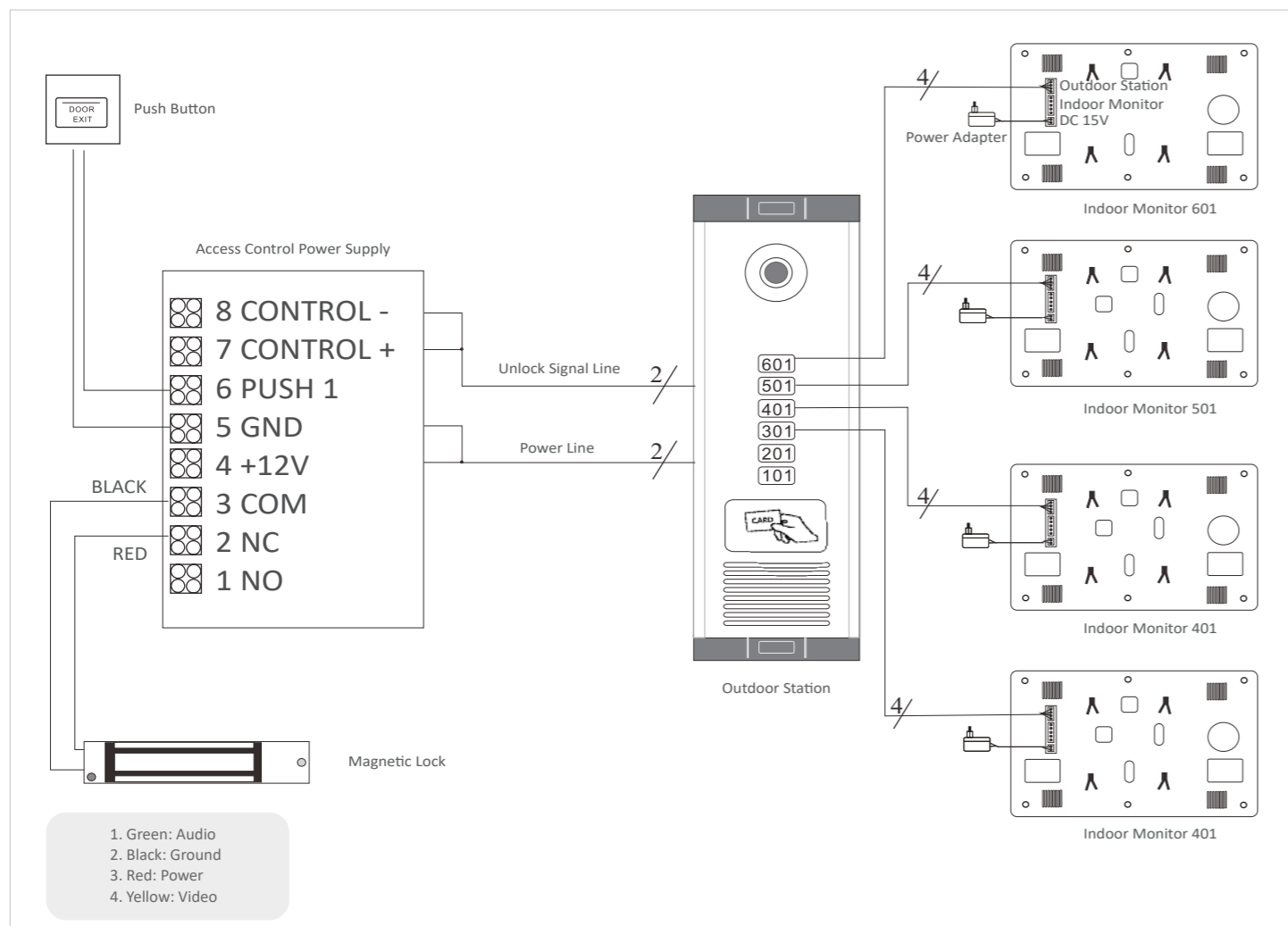
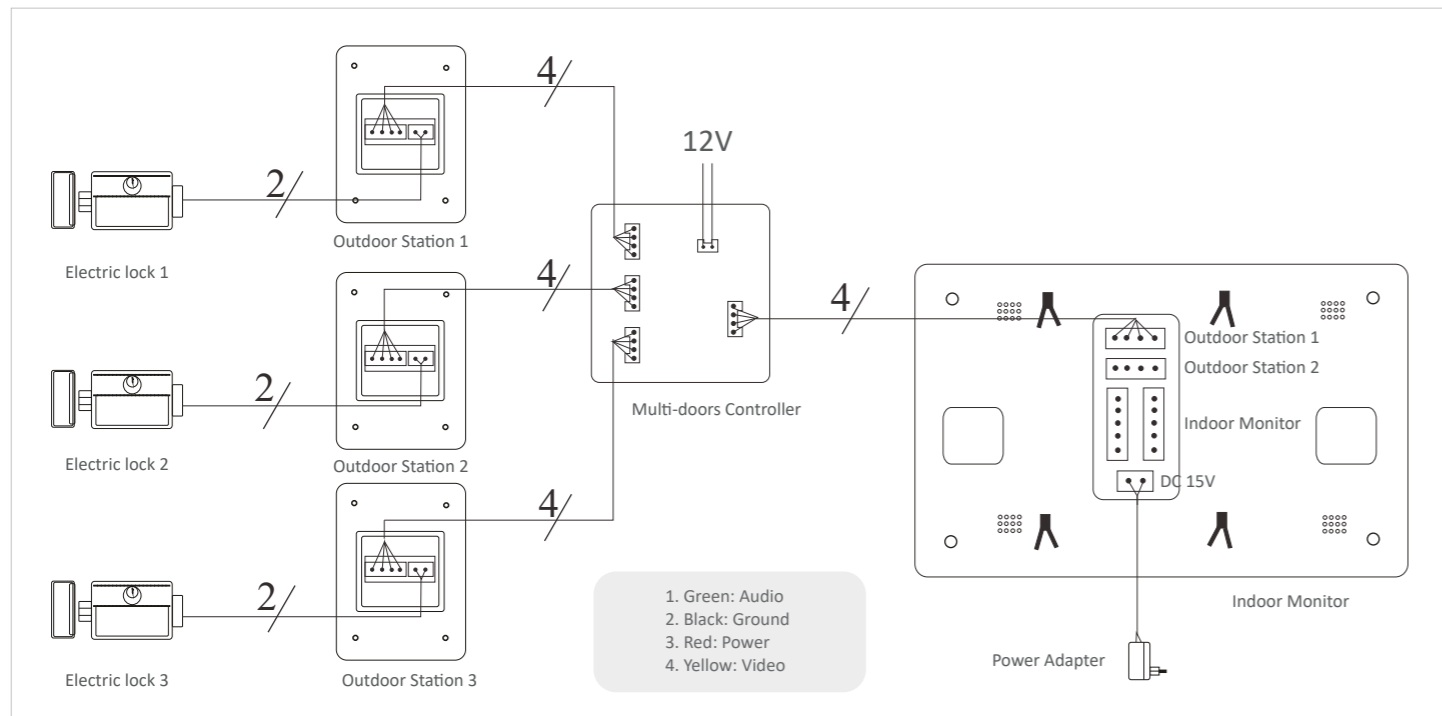
Embedded Installation



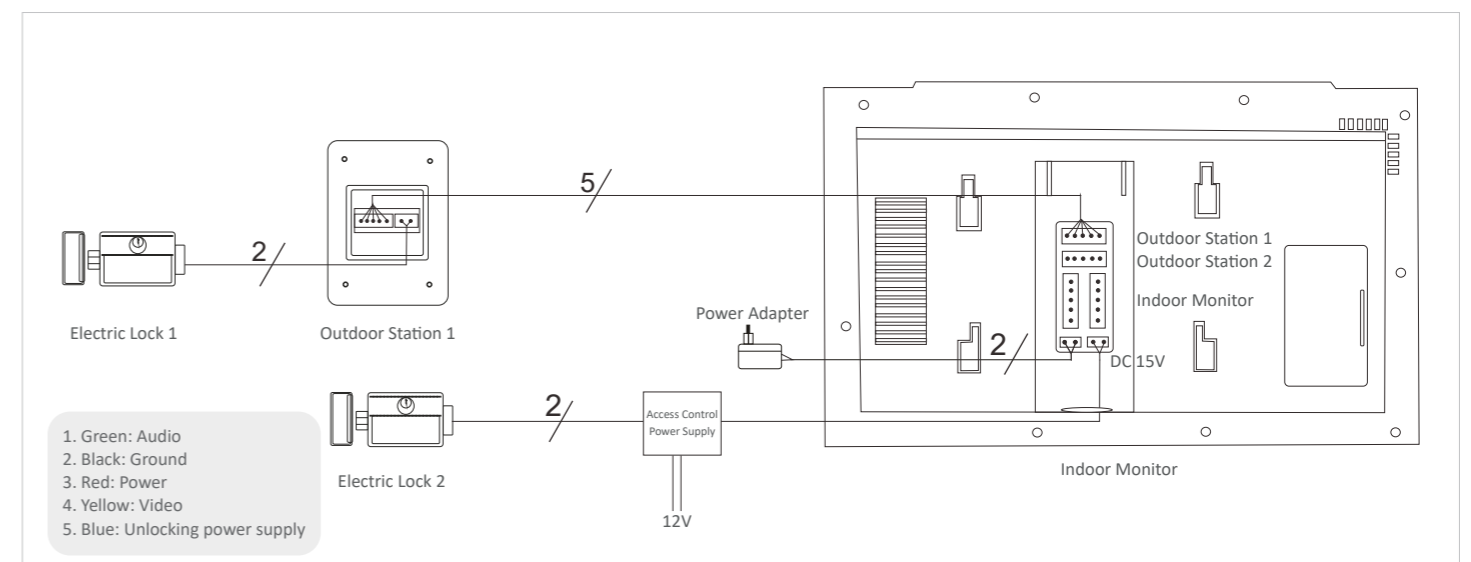
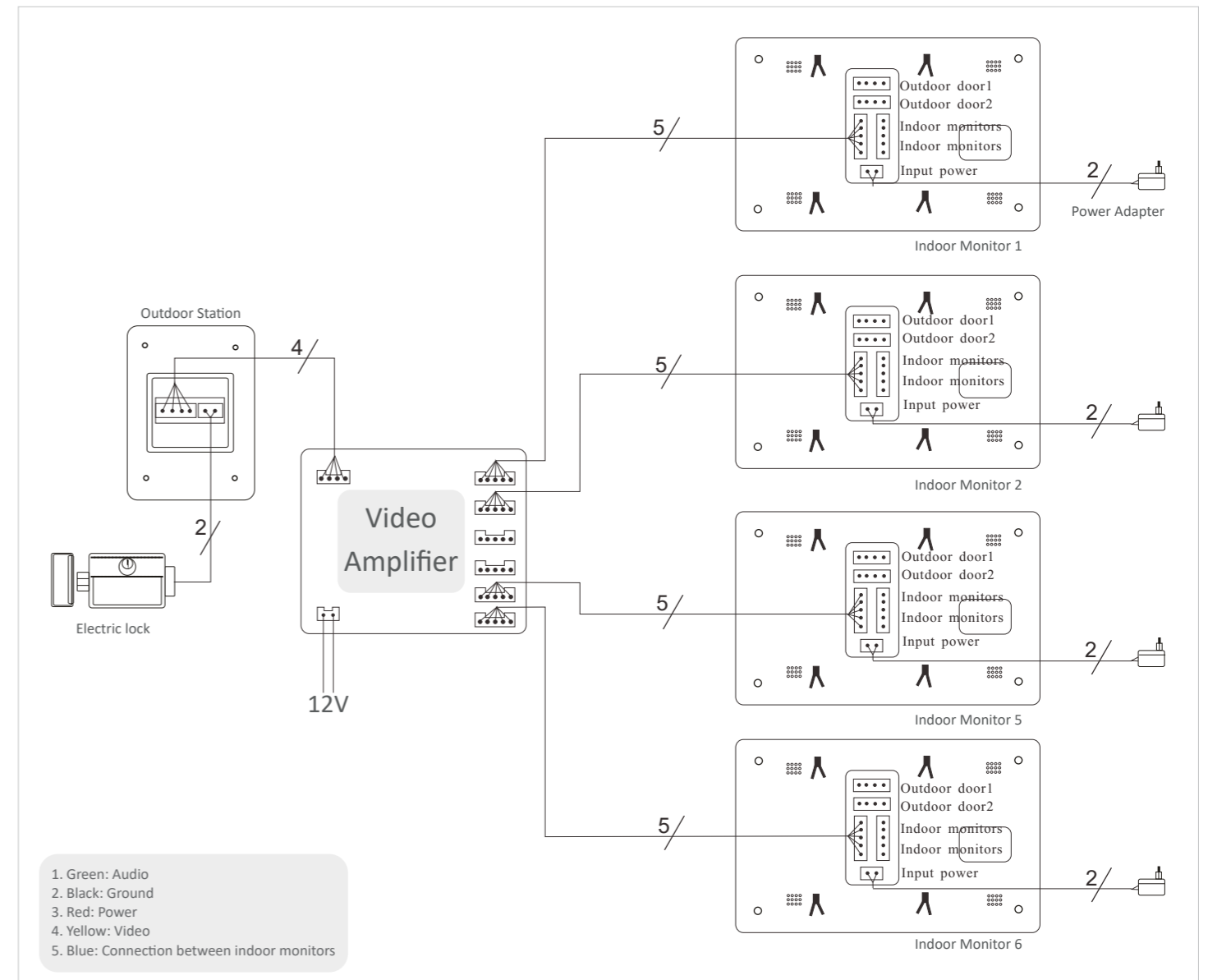
CAUTION:
Install it in a cool and dry place.
Avoid direct sunlight.
Outdoor installation height: 1.4m
Infrared distance: 0.4m



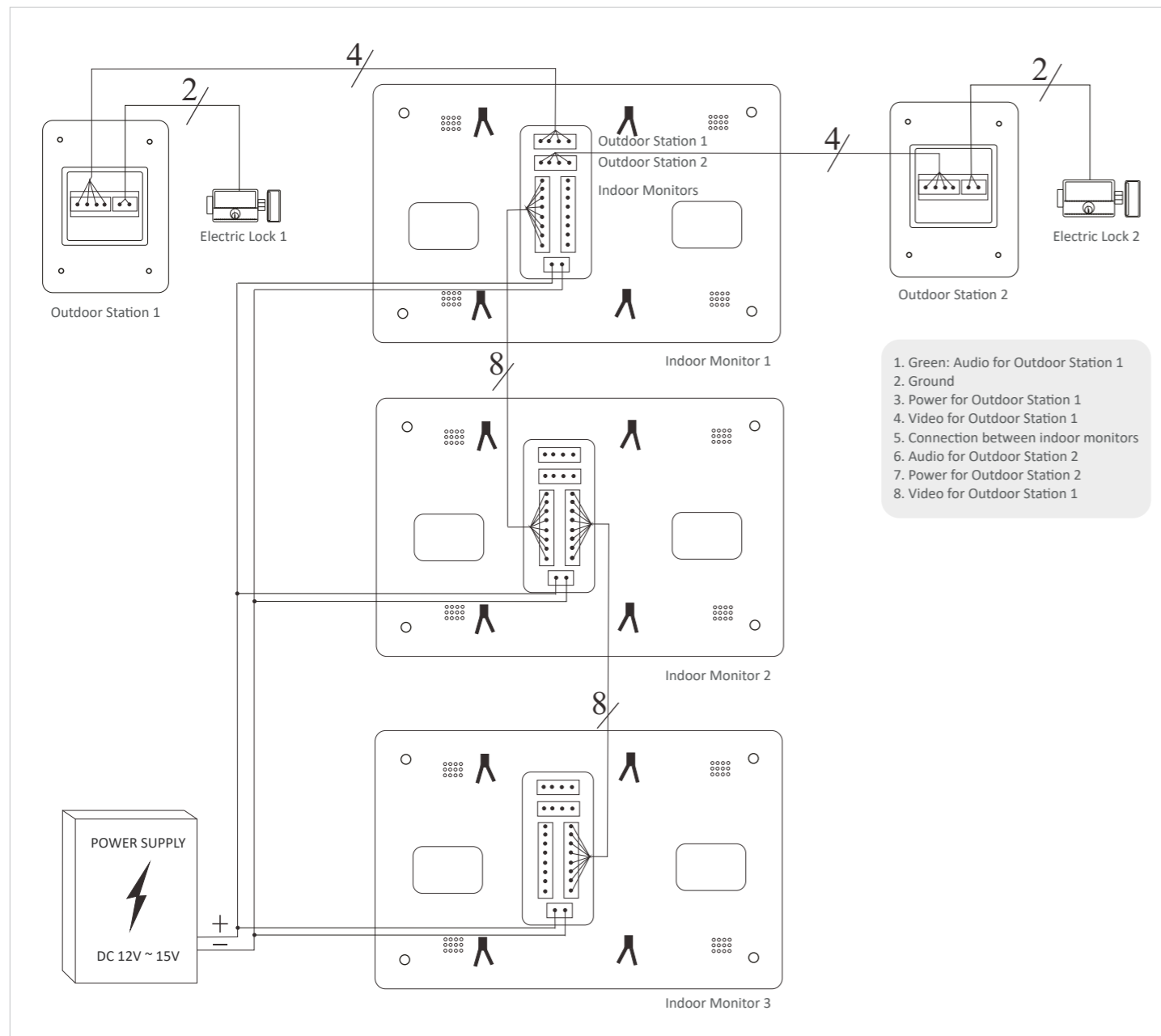
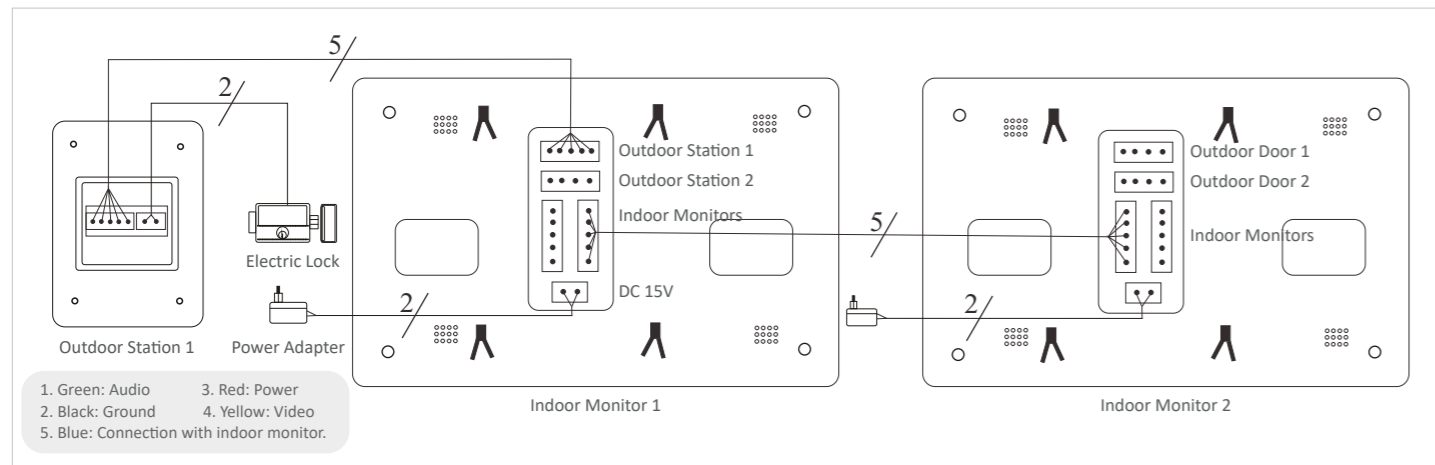
Wiring Diagram



Wiring Diagram



Wiring Diagram



ABOUT SMADOT

SMADOT is located in Shenzhen, China. With professional R&D ability and sales markets more than 100 countries, SMADOT is one of the China's leading door entry system manufacturer for professional users and end consumers. During the years of qualified technology development, SMADOT offers a wide-ranging assortment of door entry products the global market, including video and audio doorphones, building intercom system, RFID access control system. Choose smadot, choose the



SMADOT TECHNOLOGY CO., LTD

Headquarter:

4-5F, Bldg 3,

Yingfeng Industrial Park,

Xiangyin Road, Longgang District,
Shenzhen, China. 518116.

www.smadot.com



WWW.SMADOT.COM